
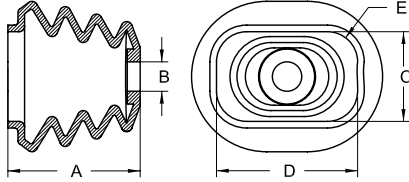

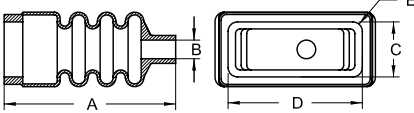

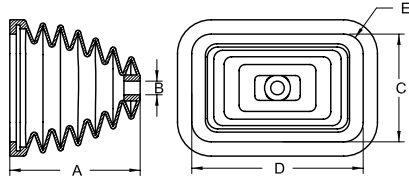

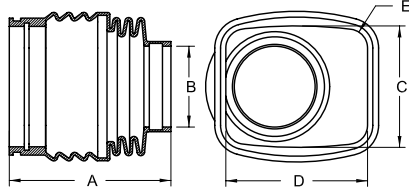

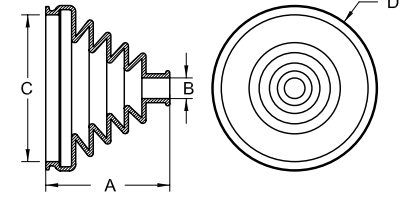

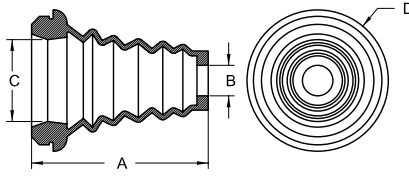

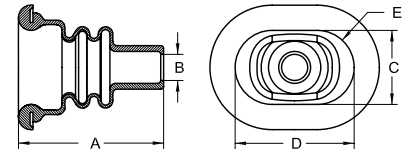



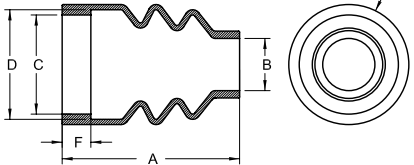

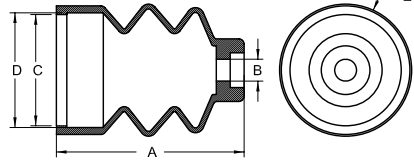

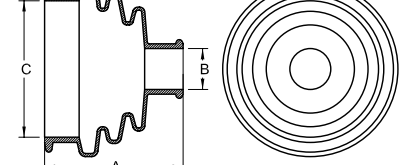

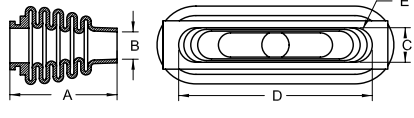

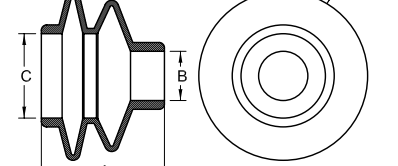

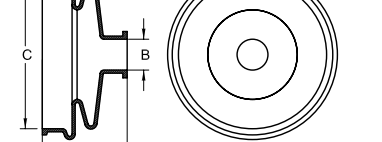
# Lever Bellows




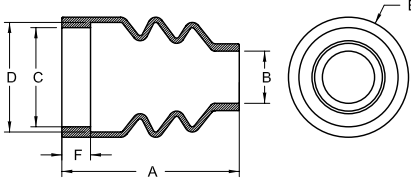

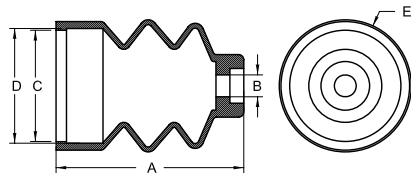

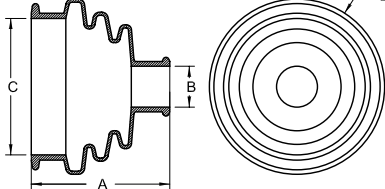
# LEVER BELLOWS

Part No.	Image	Drawing	Description
<b>XBW-500</b>			A = 36 mm B = Ø 8 mm C = 24.5 mm D = 38.5 mm E = R 8 mm
<b>XBW-510</b>			A = 92 mm B = Ø 10 mm C = 30 mm D = 72 mm E = R 5 mm
<b>XBW-520</b>			A = 100 mm B = Ø 11.5 mm C = 83 mm D = 134 mm E = R 15 mm
<b>XBW-530</b>			A = 86 mm B = Ø 43 mm C = 62 mm D = 77 mm E = R 10 mm
<b>XBW-540</b>			A = 60 mm B = Ø 9 mm C = Ø 71 mm D = Ø 80 mm
<b>XBW-550</b>			A = 55 mm B = Ø 9.5 mm C = Ø 25.5 mm D = Ø 44 mm
<b>XBW-560</b>			A = 50 mm B = Ø 9 mm C = 25.5 mm D = 41 mm E = R 13 mm

**Material: Neoprene    Colour: Black**

Part No.	Image	Drawing	Description
<b>XBW-570</b>			A = 34 mm B = $\varnothing$ 10 mm C = $\varnothing$ 19 mm D = $\varnothing$ 21 mm E = $\varnothing$ 23 mm F = 5.5 mm
<b>XBW-580</b>			A = 54 mm B = $\varnothing$ 6.5 mm C = $\varnothing$ 32 mm D = $\varnothing$ 33 mm E = $\varnothing$ 37 mm
<b>XBW-590</b>			A = 62 mm B = $\varnothing$ 19.5 mm C = $\varnothing$ 65 mm D = $\varnothing$ 82 mm
<b>XBW-600</b>			A = 62 mm B = $\varnothing$ 16 mm C = 20 mm D = 112 mm E = R 10 mm
<b>XBW-610</b>			A = 35 mm B = $\varnothing$ 14 mm C = $\varnothing$ 24 mm D = $\varnothing$ 48 mm
<b>XBW-620</b>			A = 46 mm B = $\varnothing$ 6 mm C = $\varnothing$ 64 mm D = $\varnothing$ 68 mm

**Material: Neoprene    Colour: Black**

Part No.	Image	Drawing	Description
<b>XBW-570</b>			A = 34 mm B = Ø 10 mm C = Ø 19 mm D = Ø 21 mm E = Ø 23 mm F = 5.5 mm
<b>XBW-580</b>			A = 54 mm B = Ø 6.5 mm C = Ø 32 mm D = Ø 33 mm E = Ø 37 mm
<b>XBW-590</b>			A = 62 mm B = Ø 19.5 mm C = Ø 65 mm D = Ø 82 mm