

HGS Systems

Industrial Horizontal Gear Shifter — 923 Series



HGS Industrial

The transportation industry has for many years searched for a reliable shift system to replace the cumbersome and maintenance-prone rod linkages commonly used in cab over trucks and rear engine buses. As the need has increased, vehicles become more refined to include the complexities of floating cabs, curb noise restrictions and specialty vehicles of all types.

Cablecraft Motion Controls has developed a systems approach that now makes remote shifting easier for both the vehicle builder and the operator.

Based on the proven quality and performance of Cablecraft low friction control cables, this system provides a maintenance-free, cost-effective approach to remote manual transmission shifting.

Cablecraft Motion Controls stands ready to solve your most challenging shifting problems with a full line of cab units and transmission connecting hardware to suit most applications.



Truck cab photo © Freightliner, LLC

Description:

HGS Systems
Industrial Horizontal
Gear Shifter — 923 Series

Applications:

- Floor mounted shifter
- Bus, coach & truck applications
- Servo & non-servo assisted transmissions
- Heavy duty plant/ agricultural vehicles
- Heavy/medium duty cable applications

Features:

- Easy installation, adjustment free
- Maintenance-free life
- Ends gear jump out
- Clean precise shifts
- No knob-to-cab relative movement in floating cabs
- No action required to tilt cab
- Vibration from drive train is not transmitted
- Reduced cab noise levels
- Low cost
- Installation design to customer requirements
- Flexible capability with different cable end fittings

Other Related Products:

- VGS Systems — 918 Series
- HGS Systems — 925 Series

Material

Housing

Pressure Die-cast
Aluminum

Yoke

Investment Cast Steel

Options

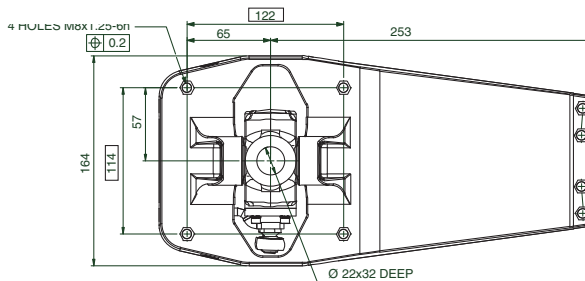
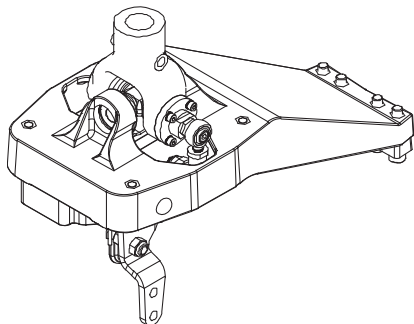
- Fully Sealed Unit Available
- Gaiter Available
- Different End Fittings Available
- Right & Left Hand Configurations
- With or Without Bias Spring
- Adjustable Bias Spring Position
- Variable Ratio Between 4:1 to 5:1

Industrial Horizontal Gear Shifter — 923 Series

Technical Data

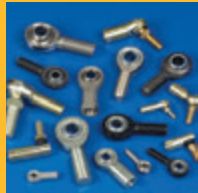
- Recommended handle lengths: 610mm to 760mm (24" - 30" approx.)
- Normal working load @ knob = 3kg (6.6 lb.) to 5kg (11 lb.)
- Accidental overload @ knob = 100kg (220 lb.)
- Operating temperatures: -40°C to 120°C (-40°F to 248°F)
- Weight: 3.2kg (7.0 lb.)

3D CAD Models available upon request.

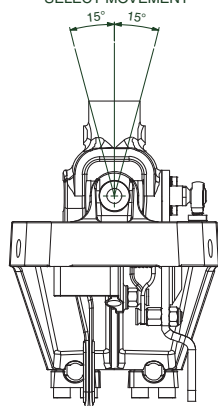


Linking Motion & Control...

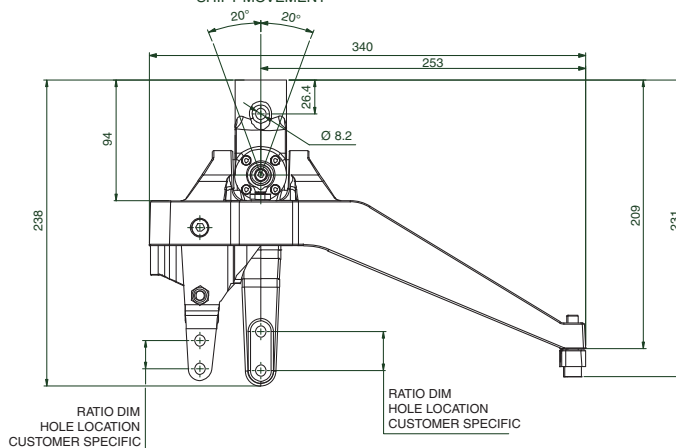
The Cablecraft Solution



SELECT MOVEMENT



SHIFT MOVEMENT



Complete Application Questionnaire found on the Manual Transmission Shifter catalog page or on our website. For more information on Industrial Gear Shifters, please contact our Hailsham division listed below.

WARNING!

Since the manufacturer is unable to determine all applications in which a part may be placed, it is the user's responsibility to determine the suitability of the part for its intended use. This is especially true where safety is a factor. Incorrect application or installation may result in property damage, bodily injury, or death. For technical assistance, call 07 3881 0400.

Cablecraft
Australia Pty Ltd

Cablecraft Australia Pty Ltd
Unit 2, 15 Hinkler Court
PO Box 7292
Brendale, Qld 4500

Tel: 07 3881 0400
Fax: 07 3205 7319

www.sreaustralia.com.au