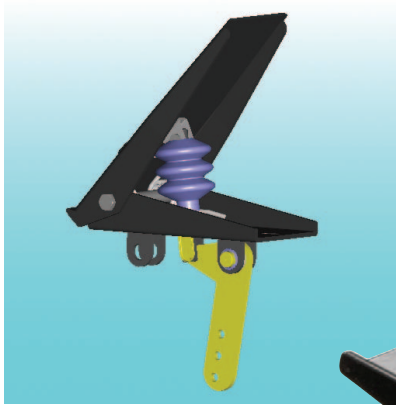


Medium-Duty Throttle

Foot Control



Foot Control Industrial

The CH530/CH531 throttle pedals are an economical, compact, and rugged design. Two different underfloor configurations allow the throttle interconnect to exit from the rear (CH530) or from the front (CH531). A dual segment torsion spring is incorporated for idle position return. Environmental contamination is minimized by a plastic boot installed between the pedal and mounting base. Idle pedal position and throttle travel are both adjustable. Multiple fastener holes are incorporated into the base to accommodate various mounting patterns. The pedal surface is embossed to reduce foot slippage and increase strength. Coated sheet metal components and plastic bushings are intended to provide years of smooth, trouble-free service.



Description:

Medium-Duty Throttle
Industrial Pedal Foot Control

Applications:

- Farm machinery
- Heavy machinery
- Landscaping equipment
- Construction equipment
- Warehouse equipment

Features:

- Steel construction
- Rear or front throttle connection
- Multiple base bolt patterns
- Spring returned pedal
- Travel: 3.00" maximum
- -25°F — 160°F temp range (-14°C — 90°C)
- Coated sheet metal components
- Embossed pedal surface reduces slippage

Other Related Products:

- Pull-Only Cable
- Rod End

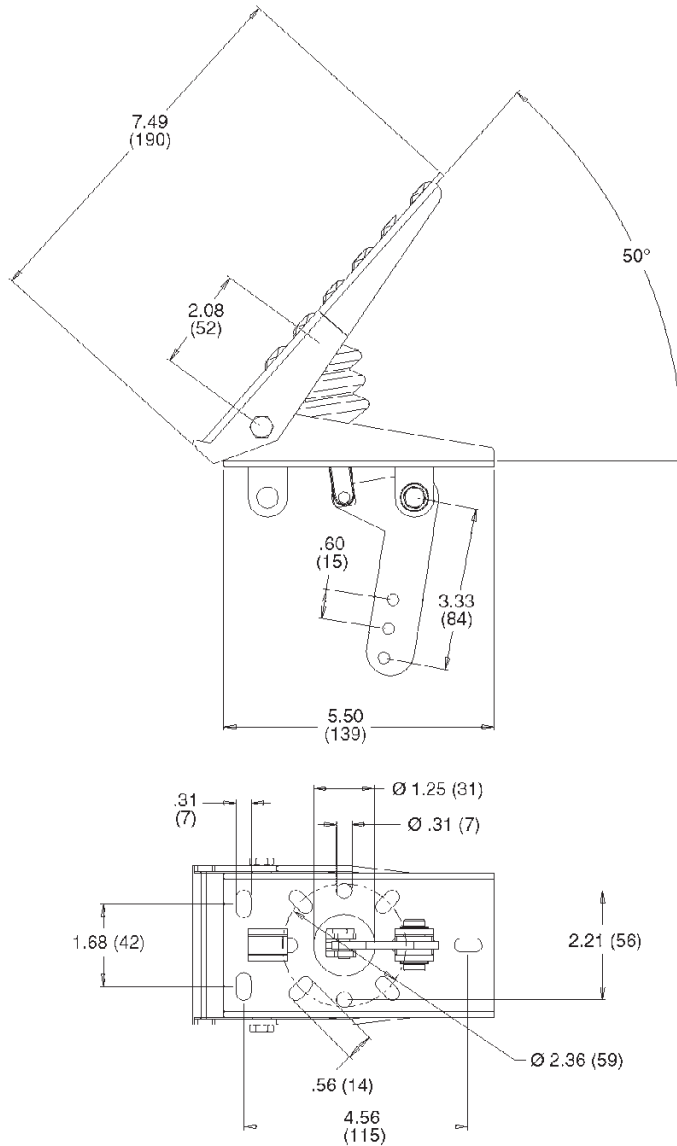
Medium-Duty Throttle

Material

- Coated sheet metal
- Plastic bushings
- Plastic boot plated steel hardware

Medium-Duty Pedal CH530

For use with single pull-only throttle (gas) cables.

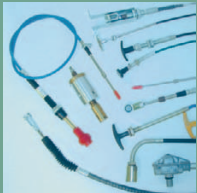


Fast and Economical Installation

A throttle cable simplifies the installation, providing a complete system to suit many applications.

The pedal tower mechanism is designed to be dropped through the floor and secured. Cable attachment can then be quickly and easily completed.

Linking Motion
& Control...
The Cablecraft
Solution



All line art dimensions are represented as follows: in (mm)

WARNING!

Since the manufacturer is unable to determine all applications in which a part may be placed, it is the user's responsibility to determine the suitability of the part for its intended use. This is especially true where safety is a factor. Incorrect application or installation may result in property damage, bodily injury, or death. For technical assistance, call 07 3881 0400.

Cablecraft
Australia Pty Ltd

Cablecraft Australia Pty Ltd
Unit 2, 15 Hinkler Court
PO Box 7292
Brendale, Qld 4500

Tel: 07 3881 0400
Fax: 07 3205 7319

www.sre.com.au